

PS Series

Crown-Weld® Square Straight Steel Poles

Product Description

Non-tapered square steel poles are supplied with a welded base with cover, four galvanized anchor bolts, masonite mounting template and pole cap (except tenon mount). Each anchor bolt is provided with two washers and two nuts. Steel pole base has slotted holes. Per National Electrical Code requirements, pole is standard with a 50mm x 150mm hand hole, located above the bottom of pole base. A #10-32 stainless-steel weld stud with grounding lug is located inside the pole, opposite the hand hole. A hand hole cover is supplied but shipped separately. In addition, 102mm x 8m and 102mm x 9m poles include an internal 8mm steel reinforced sleeve welded inside the bottom 600mm of the pole, as well as a reinforcement welded around the hand hole for added strength. The hand hole location on reinforced poles is 300mm above the bottom of the pole base.

CONSTRUCTION & MATERIALS

- Square, non tapered pole of structural steel tubing (ASTM A 500) with a minimum yield of 46,00 p.s.i.
- Welded to a formed carbon steel base plate with a minimum yield strength of 36,000 p.s.i.
- Exclusive Colorfast DeltaGuard® finish features an E-Coat epoxy primer with an ultra-durable powder topcoat, providing excellent resistance to corrosion, ultraviolet degradation and abrasion

REGULATORY & VOLUNTARY QUALIFICATIONS

- National Electrical Code Requirements
- UL Listed in US for electrical ground bonding
- CSA Certified in Canada for ground bonding and structural strength

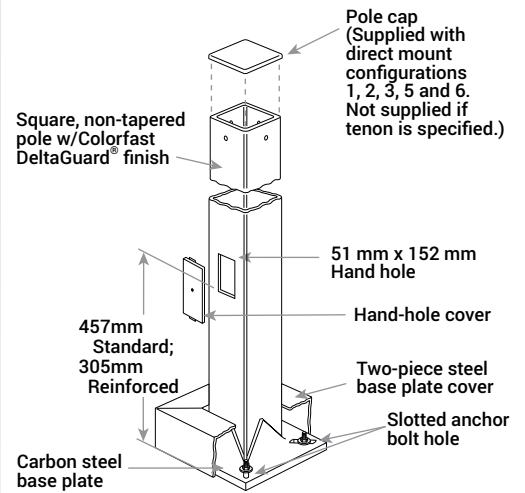
LIMITED WARRANTY*

- 7 years on pole/7 years on Colorfast DeltaGuard® finish

*See <http://lighting.cree.com/warranty> for warranty terms

Accessories

See Brackets / Tenons Spec Sheet (available via ADLT.com.au)



Ordering Information

Example: PS3S10C1BK

Product			Mounting Configuration	Color Options
PS4S15C 4.5m x 102mm x 3.175mm	PS4S25S 7.6m x 102mm x 4.775mm	PS4S30H 9.1m x 102mm x 4.775mm	1 Single ¹	BK Black
PS4S20C 6.1m x 102mm x 3.175mm			2 Twin @ 180°	BZ Bronze
			3 Twin @ 90° ¹	SV Silver
			5 Triple ¹	WH White
			6 Quad ¹	
			T Tenon ²	

¹ Direct mount pole configuration. N/A for Cree Edge™ High Output luminaires

² Order tenon separately. Refer to [Bracket and Tenons spec sheet](#) for additional information

PS Series Crown-Weld® Square Straight Steel Poles

Dimensions & Weight

Product	Height x Width x Wall	Base Plate	Bolt Circle/Range (mm)	Anchor Bolt Size	Maximum Luminaire Weight	Approx. Shipping Weight
PS4S15C	4.6m x 102mm x 3.175mm	254mm ² x 19.05mm Thick	254/236 - 279	19mm - 10x762mm + 76.2mm	159kg	54kg
PS4S20C	6.1m x 102mm x 3.175mm	254mm ² x 19.05mm Thick	254/236 - 279	19mm - 10x762mm + 76.2mm	159kg	68kg
PS4S25S	7.6m x 102mm x 4.775mm	254mm ² x 19.05mm Thick	254/236 - 279	19mm - 10x762mm + 76.2mm	159kg	114kg
PS4S30H	9.1m x 102mm x 4.775mm	254mm ² x 19.05mm Thick	254/236 - 279	19mm - 10x762mm + 76.2mm	155kg	153kg

Foundation Cage Size Recommendations

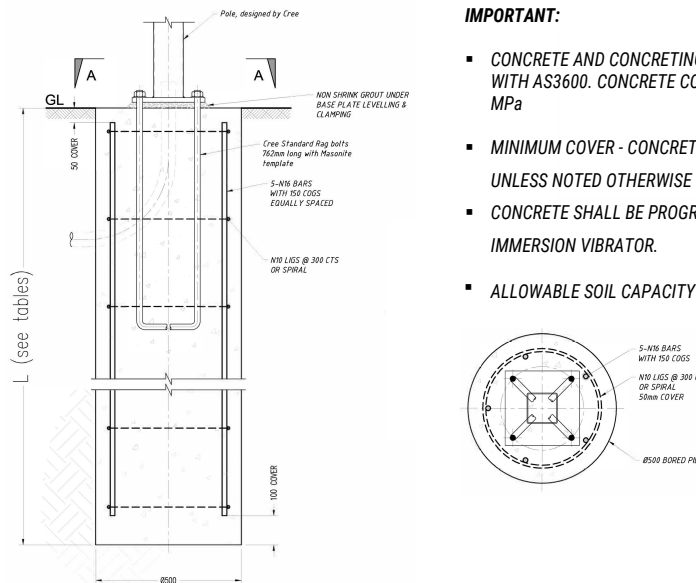
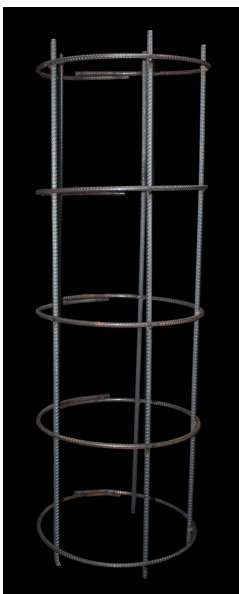
Product	Pole Height AGL (m)	Footing DEPTH (L) in Very Firm Class Soil (150kPa) in Wind Region				
		A	B	C	D	E
PS4S15C(a)BZ	4.6	1.00	1.00	1.00	1.00	1.00
PS4S20C(a)BZ	6.1	1.00	1.00	1.00	1.00	1.20 [#]
PS4S25S(a)BZ	7.6	1.00	1.00	1.00	1.20	N/A
PS4S30H(a)BZ	9.1	1.20	1.20	1.20	1.20 [#]	N/A

Product	Pole Height AGL (m)	Footing DEPTH (L) in Soft Class Soil (60kPa) in Wind Region				
		A	B	C	D	E
PS4S15C(a)BZ	4.6	1.20	1.20	1.20	1.20	1.70
PS4S20C(a)BZ	6.1	1.20	1.20	1.20	1.70	1.70 [#]
PS4S25S(a)BZ	7.6	1.70	1.70	1.70	1.70	N/A
PS4S30H(a)BZ	9.1	1.70	1.70	1.70	1.70 [#]	N/A

ADLT Light Pole Foundation Cage footings are designed for poles with single and twin lights (back to back) on each pole. The following luminaires were considered: Cree LEDWay Series, Cree OSQ Series (Large & Medium), Cree XSP Series (Single & Double Module) & Cree High Output Edge Series

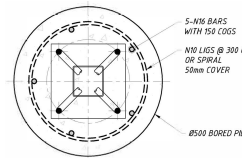
* Only with PD-2H Tenon
N/A for High Output Edge

Light Pole Foundation Cage Recommendations

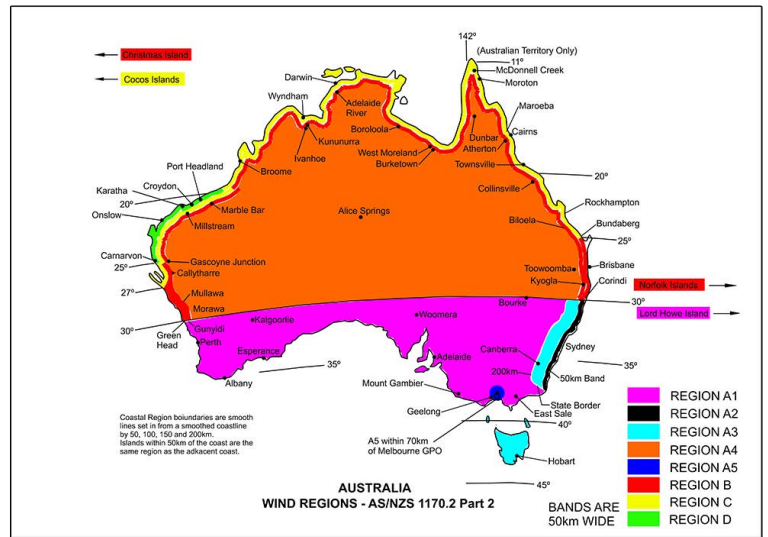


IMPORTANT:

- CONCRETE AND CONCRETING METHODS SHALL BE IN ACCORDANCE WITH AS3600. CONCRETE COMPRESSIVE STRENGTH (fc) 28 DAYS 32 MPa
- MINIMUM COVER - CONCRETE POURED AGAINST GROUND - 75 mm UNLESS NOTED OTHERWISE
- CONCRETE SHALL BE PROGRESSIVELY COMPACTED USING AN IMMERSION VIBRATOR.
- ALLOWABLE SOIL CAPACITY = SEE ABOVE TABLES



Wind Regions



See ADLT's Light Pole Foundation Cage Spec Sheet (available via ADLT.com.au) for more information.